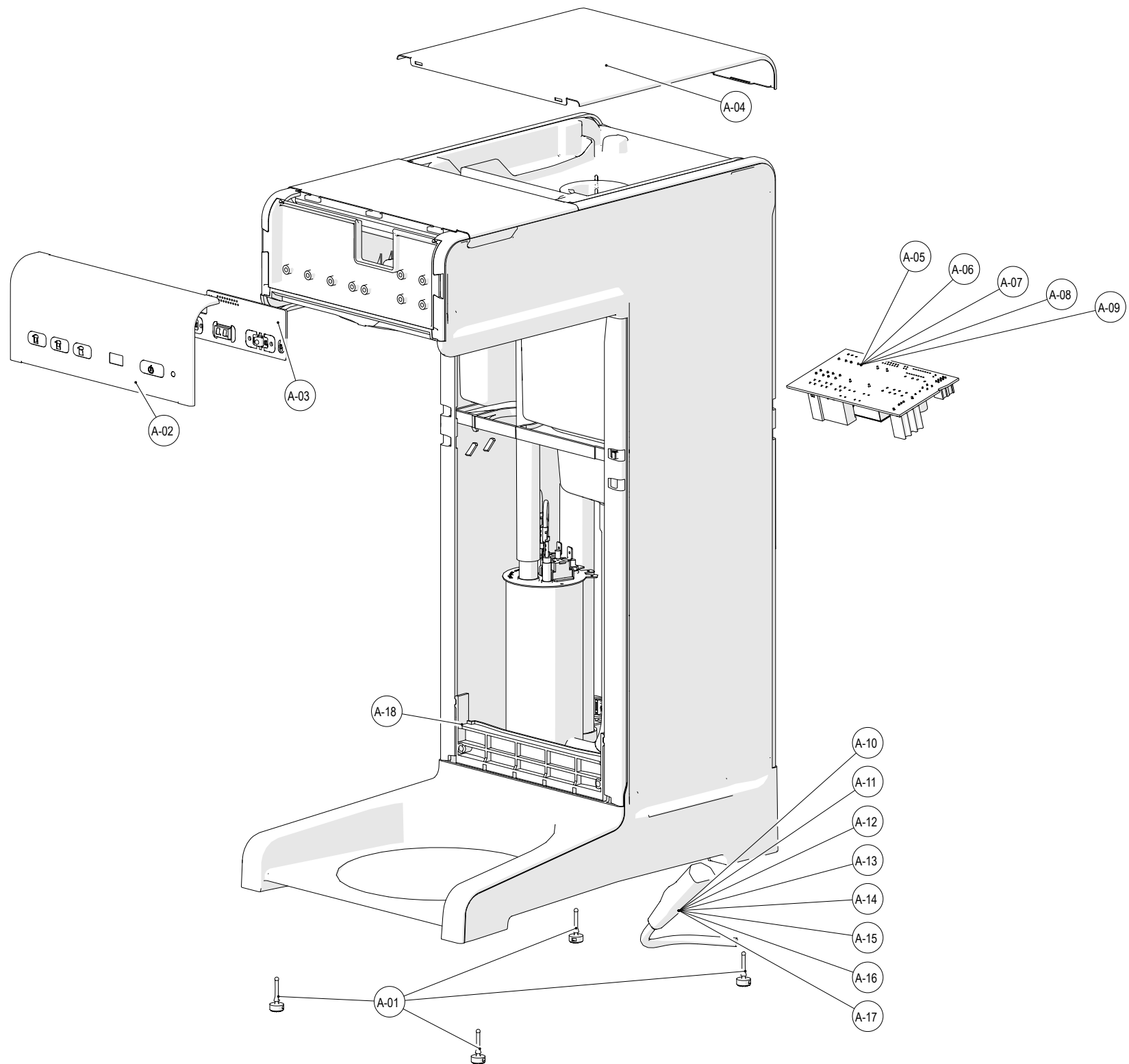


ID	Service parts	S-RS	Description
A-01	6.101.039.001	S	Foot (10 pcs)
A-02	6.101.144.001	S	Upper panel (printed)
A-03	6.101.162.000	RS	Keyboard
A-04	6.101.028.001	S	Upper panel
A-05	6.101.047.000	RS	Mainboard (STD)
A-06	6.101.101.000	RS	Mainboard (STA)
A-07	6.101.151.000	RS	Mainboard (GB)
A-08	Obsolete	-	-
A-09	6.101.184.000	RS	Mainboard 200V (J)
A-10	6.003.012.151	S	Connection cord (STD)
A-11	6.003.012.156	S	Connection cord (DK)
A-12	6.003.012.157	S	Connection cord (OCE)
A-13	6.003.012.159	S	Connection cord (PRC)
A-14	6.003.012.160	S	Connection cord (GB)
A-15	6.003.012.163	S	Connection cord 200V (J)
A-16	Obsolete	-	-
A-17	6.003.012.114	S	Connection cord 5-15P
A-18	6.101.123.001	S	Locking bracket



ID	Service parts	S-RS	Description	mm
B-01	6.000.205.111	S	Connection tube	
B-02	6.202.848.001	S	Nut for magnetic valve	
B-03	6.016.001.035	RS	Magnetic valve 2.5 l/min 230V	
B-04	6.016.001.038	RS	Magnetic valve 2.5 l/min 200V	
B-05	6.016.001.023	RS	Magnetic valve 2.5 l/min 115V	
B-06	6.001.079.004	S	Tube clamp 17.5 mm	
B-07	6.019.033.014	S	Silicone tube 9.5 x 3.0	380
B-08	6.001.079.003	S	Tube clamp 15.6 mm	
B-09	6.000.101.003	RS	Float (assy)	
B-10	6.101.083.001	S	Silicone tube 9.5 x 3.0	260
B-11	6.101.079.000	RS	Flow boiler 230V 2300W	
B-12	6.101.133.000	RS	Flow boiler 230V 1600W	
B-13	6.101.134.000	RS	Flow boiler 120V 1600W	
B-14	6.101.137.000	RS	Flow boiler 240V 1400W	
B-15	6.101.182.000	RS	Flow boiler 100V 1400W	
B-16	6.101.082.001	S	Silicone tube 11.5 x 3.0	325
B-17	6.101.008.001	S	Water spreader (assy)	
B-18	6.011.001.157	S	O-ring 75x3x3	
B-19	6.101.062.001	S	Spraying tank	
B-20	6.101.122.001	S	Descaling plug	
B-21	6.101.012.001	S	Protection plate	
B-22	6.016.018.023	S	Sieve	
B-23	6.016.008.077	RS	High temp safety device	

